

Low Profile, Single Output, Contact Angle/Position Sensors



Features

- Thin 11mm angle/position contact sensor with 3-wire harness and connector offered as a standard assembly
- Detection of objects through direct physical contact resulting in conversion to electrical signals for processing
- Long life of 5 million cycles
- Waterproof as standard with an IP66 rating
- 0.05W power rating
- Spring return function within mechanical rotational angle of 0° to 130°
- Total resistance values of 2kΩ or 5kΩ; resistance tolerance of ±20%
- Blind shaft-fitting design for front insertion of a blade shaft
- Optional customizable angle/position setting within the 60° to 120° range
- Optional CW rotational direction of rotor is available
- Popular screw mount flange with two oval mounting holes (hardware not included)
- RoHS compliant

Applications

- Electric vehicles where speed, steering, orientation, and other movements are controlled by contact sensors
- Agricultural /construction vehicles where contact sensors under harsh conditions control operating functions
- Personal mobility vehicles utilizing contact sensors for maneuvering electric wheelchairs and scooters
- Contact sensors for controlling various operations in off-road vehicles, i.e. golf carts, ATVs, and snowmobiles

Specifications

Basic Characteristics

Rated Voltage	5VDC	Output Guaranteed Range	96° (0.5V to 4.5V)
Maximum Rated Voltage	16VDC	Electrical Rotational Angle	120°
Power Rating	0.05W	Mechanical Rotational Angle	130°
Output Characteristics	See Figure 1	Operating Temperature Range	-40°C to +135°C
Measurement Circuit	See Figure 2	Storage Temperature Range	-40°C to +140°C
Rotor Stopper Strength	≥0.294N•m (≥3kgf•cm)	Mounting Hole Pitch	36mm

Significant Characteristics

Total Resistance	5kΩ ±20% before test; ±20% max. resistance change from initial value after test, when measuring between connector pins Vcc and GND		
Output Linearity	Initial value of (1) ±75mV at reference point -25° and (2) ±100mV at +25°-100.8° before test followed by ±50mV voltage change max. from initial value at reference point 100.8° after test; where deviation of output voltage from referenced straight line (inclination) falls between 0.5V to 4.5V guaranteed range (see Figure 1)		
Hysteresis	±30mV before test; ±50mV after test; results based on difference of output voltage from hysteresis loop (origin curve and return curve) between reference point (0.5V) and 100.8°		
Output Smoothness	50mVp-p max. noise component at 5 rpm measurement speed (see Figure 3)		
Operating Torque	4.90-58.8mN•m (50-60gf•cm) before test; 1.00-88.3mN•m (10-900gf•cm) after test; (see Figure 4)		
Insulation Resistance	100MΩ min. before test; 10MΩ min. after test; 500VDC, MEGA between each lead and shaft fitting		

Specifications Continued

Endurance Performance

Operating Endurance

Operating Temperature (°C)	Tested Rotational Cycles	Tested Operating Angle	Output Voltage Range (V)	Frequency Rate (Hz)	Applied Voltage To Vcc Connector Pin
+25	5 million	96° (17° \rightleftharpoons 113°)	0.5 to 4.0	4	5V
+100	3 million	96° (17° \rightleftharpoons 113°)	0.5 to 4.0	4	5V
-30	2 million	96° (17° \rightleftharpoons 113°)	0.5 to 4.0	4	5V
+110	5 million	6° (62° \rightleftharpoons 68°)	2.4 to 2.6	30	5V

Constant Vibration 2.5V reference point at +25°C, 10G (O-P), 200Hz, 100 hours (applied voltage to Vcc connector pin)

Humidity 80 \pm 3°C, 95 \pm 5% RH, 100 hours

Temperature Cycle -30°C for 1 hour \rightleftharpoons +120°C for 1 hour, 100 cycles

Low Temperature Shelf Life -30°C, 192 hours

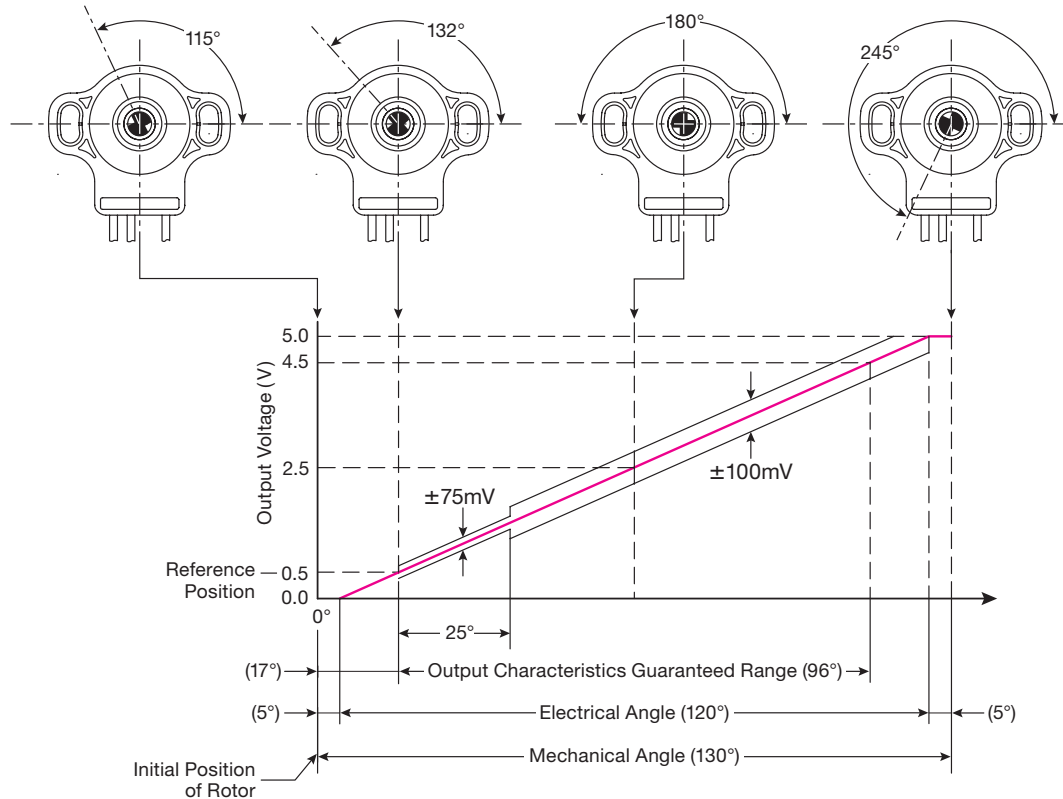
High Temperature Shelf Life +120°C, 192 hours

Drop Test Drop height: 1m, landing area: concrete floor, X, Y, Z directions, 3 times each

Output Analysis

Figure 1: Output Characteristics

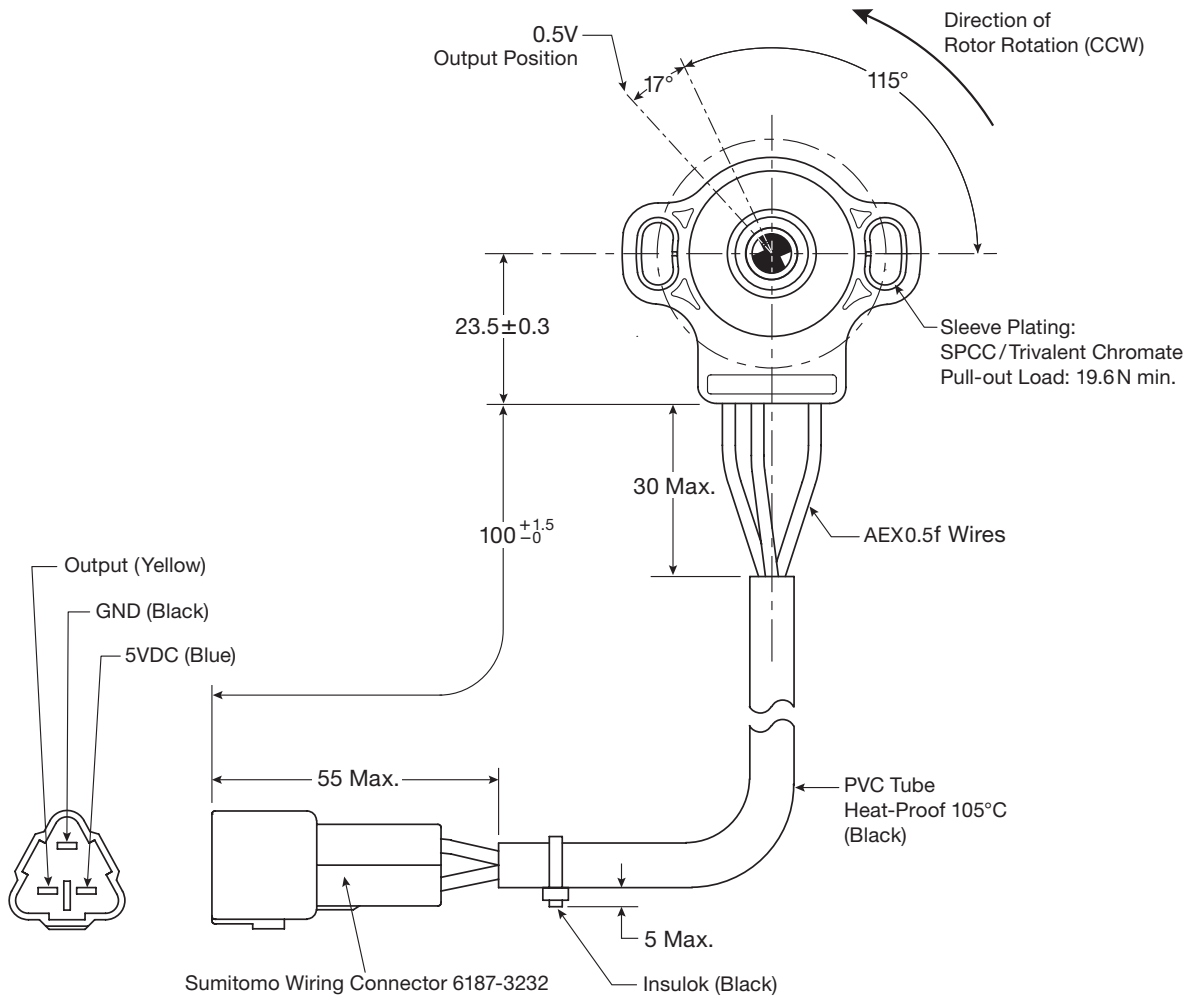
Unit: mm



Note: The electrical rotational angle can be changed as an option (60° to 120°).
The standard CCW rotational direction can be changed to CW as an option.

Dimensional Drawings of Front View A with Wire Harness and Connector

Unit: mm



Electrical Schematics

Figure 2: Evaluation Circuit

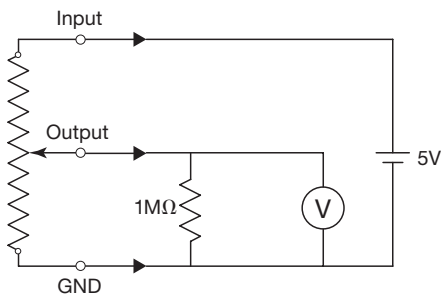
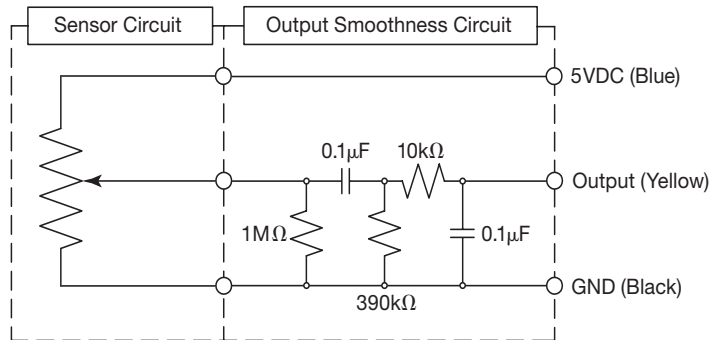
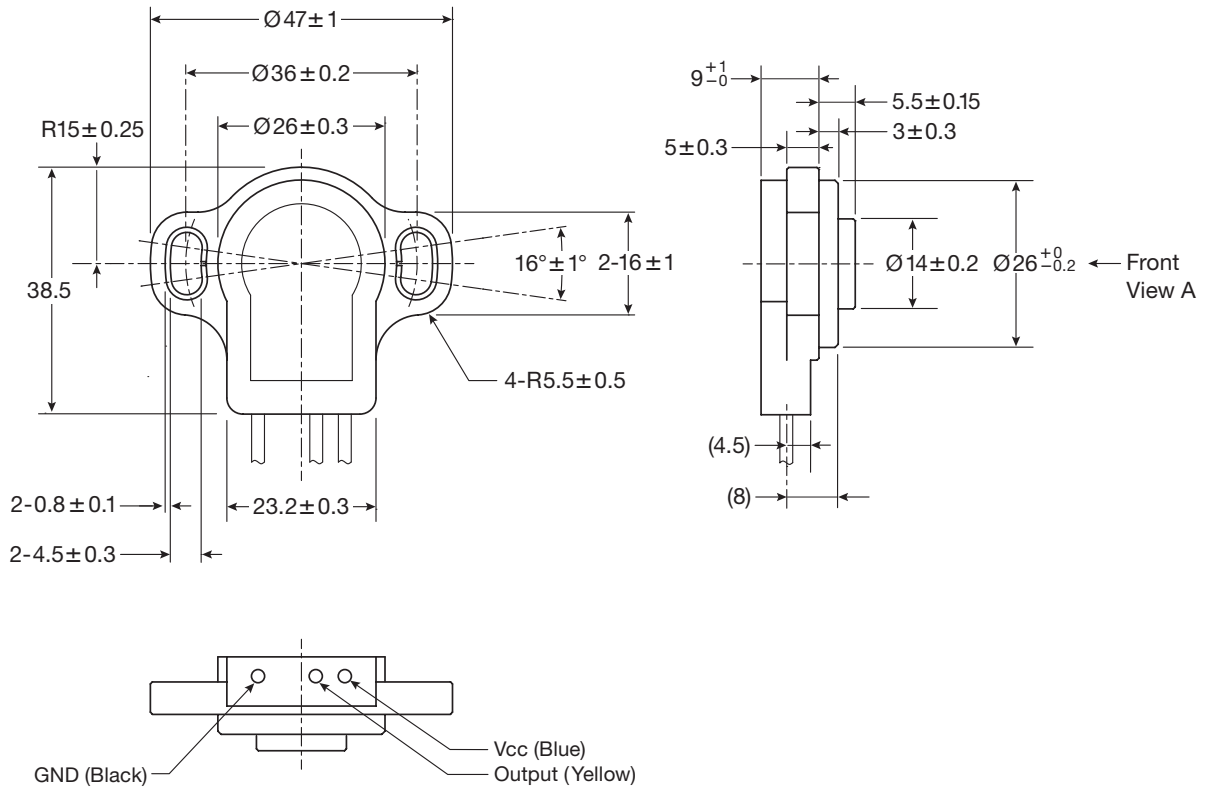


Figure 3: Output Smoothness Measurement Circuit



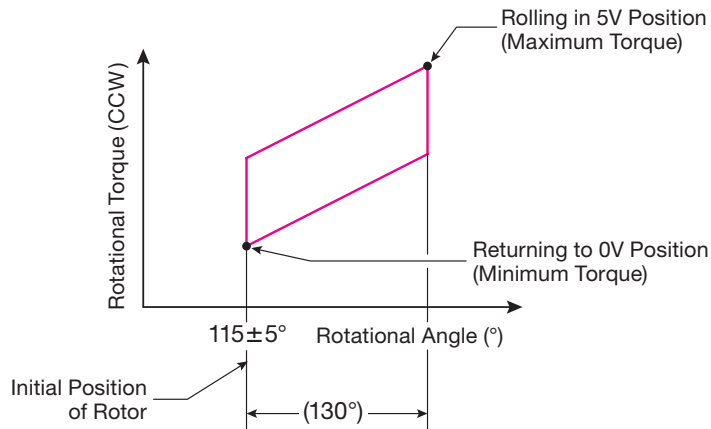
Dimensional Drawings of Back, Side, and Bottom Views

Unit: mm



Rotational Torque

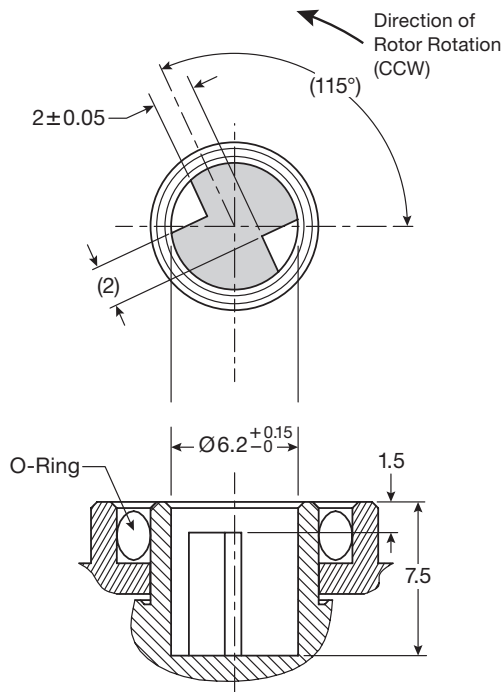
Figure 4: Operating Torque



RPA011 Shaft Fitting

Blind Shaft Fitting Detail from Front View A

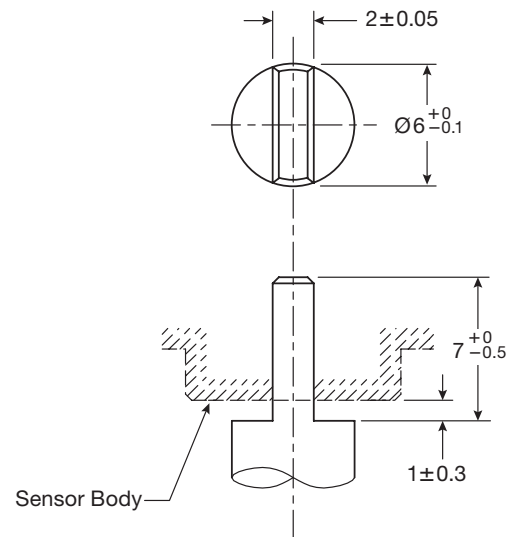
Unit: mm



RPA011 Shaft Style

Recommended Blade Shaped Shaft

Unit: mm



TOCOSAMERICA, INC.

1177 East Tower Road, Schaumburg, IL 60173

Tel: 847-884-6664 Fax: 847-884-6665 E-mail: sales@tocos.com www.tocos.com

TocosAmerica, Inc.
is affiliated with



The information in this publication is believed to be accurate and reliable with no guarantee as to its completeness. The components described herein are designed, tested and manufactured to meet and or exceed the specifications for each product. TOCOS reserves the right to make changes to the specifications without notice. It is the buyer's responsibility to determine suitable use and should test actual performance of TOCOS products in or for their specific application before final purchase agreement.