

TOCOS

Position Sensors RVQ28YS Series

The best choice for ecologically-friendly cars and welfare cars.

Long life sensors with built-in return spring assure to set centric output voltage point.



Reflecting today's aging society, as the demand of welfare cars and nursing-care service products is rising, there is a need for long life and highly reliable electrical components used in the welfare cars.

With this situation in mind, Tokyo Cosmos Electric Co., Ltd will start volume production of highly reliable RVQ28YS series with long-life, waterproofing. Centric point is set by built-in return spring, which provides improvements in assembling and setting stability and the reduction of components count (from 5 parts to 3 parts) enables further cost down and can serve customers' need.

■Features

- Built-in return spring to set the centric point.
(the reduction of attaching components count at end products.)
- Various applications expected for position sensing
- Long life (2 million cycles)

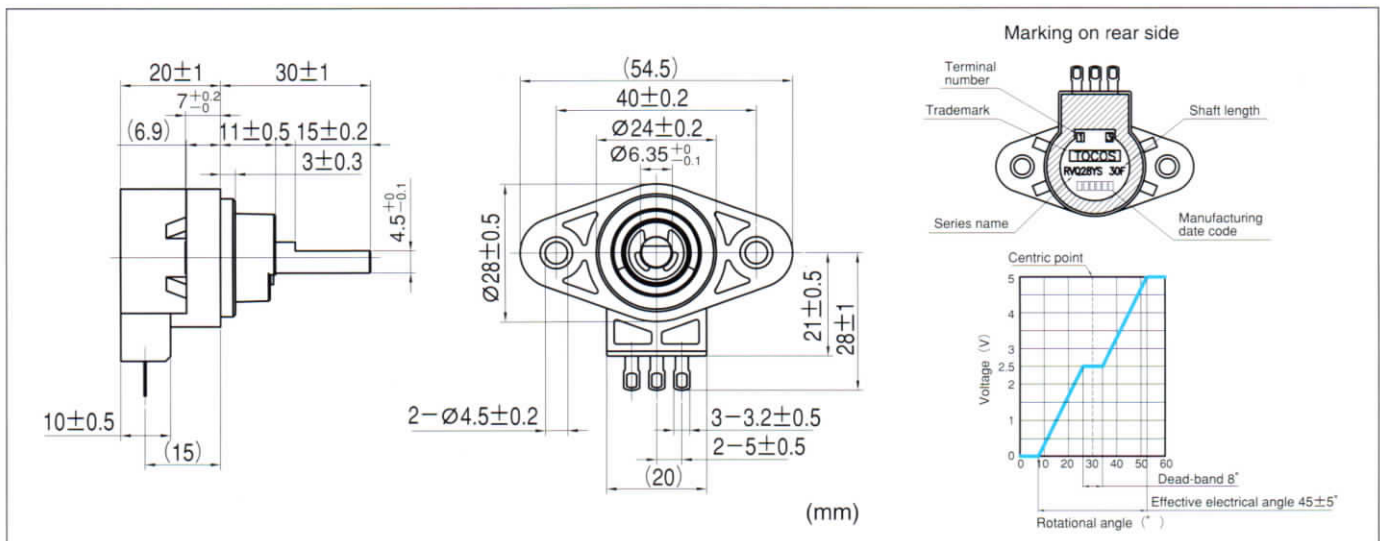
■Major applications

Electric wheelchairs, Golf carts, Nurse-caring equip, Snow mobile etc.

■Specifications

Rotational Life	2 million cycles
Mechanical Adjustment Travel	60° ±5
Electrical Travel	45° ±5
Size & Construction	Connector-equipped all-in-one unit/Waterproof
Resistance Range	5k Ω
Resistance Tolerance	±10%
Power Rating	0.15W at 40°C、0W at 85°C Operating
Temp. Range	-10~85°C
Waterproof	IP64

■Dimensions



ISO9001, ISO14001 Certified



Tokyo Cosmos Electric Co., Ltd.

2-268, Sobudai, Zama, Kanagawa 228-8510, Japan
TEL 81-46-253-2116 FAX 81-46-253-3640

Web: www.tocos-j.co.jp

E-mail: int@tocos-j.co.jp

TOCOS America, Inc.

1177 East Tower Road, Schaumburg, IL 60173, USA
TEL 1-847-884-6664 FAX 1-847-884-6665

Web: www.tocos.com

E-mail: sales@tocos.com

Taiwan Tocos Electric Co., Ltd.

No.66-9F, Sec. 1, Chengde Rd., Datong District,
Taipei City 10355, Taiwan, R.O.C.

TEL +886-2-2555-1811 FAX +886-2-2550-5927

Web: www.tocos.com.tw

E-mail: sales@tocos.com.tw

Long Life Position Sensors RVQ28YS Series

TOCOS position sensors are the best choice for ecologically-friendly cars and welfare cars in which longer life and higher reliable devices are needed.

Centric point is set by built-in return spring, which provides improvements in assembling and setting stability and the reduction of attaching components count at end products (from 5 parts to 3 parts) enables further cost down and can serve customers' need.



Features:

- Built-in return spring to set the centric point.
(the reduction of attaching components count at end products.)
- Various applications expected for position sensing
- Long life (2 million cycles)

Major applications:

Electric wheelchairs, Golf carts, Nurse-caring equip, Snow mobile etc.

