

1/4" Round, Single-Turn, Through-Hole Sealed Cermet Trimmers



Features

- 1/4" round, single-turn, through-hole, sealed cermet trimmers
- Top, side and bottom adjust models
- 10mm diameter housing for bottom adjust model
- High setting stability with precious metal multi-contacts
- Low noise and low TC
- Gold flushed terminals for superior solderability and longer shelf life
- PC board stand-offs
- Meets UL 94V-0 flammability requirements
- Sealed to withstand wave soldering and immersion cleaning

Specifications

Electrical

Standard Resistance Range	10Ω to 1MΩ (standard 1, 2 & 5 sequence)
Resistance Tolerance	±10% and ±20%
End Resistance	1% or 3Ω, whichever is greater
Resistance Taper	Linear
Peak Noise (C.R.V.)	1% or 1Ω, whichever is greater
Power Rating	0.5 watt at +70°C, 0 watt at +125°C
Maximum Input Voltage	250VDC or power rating, whichever is smaller
Temperature Coefficient	±100ppm/°C, 200Ω to 1MΩ ±250ppm/°C, other values
Insulation Resistance	100MΩ minimum at 500VDC
Dielectric Strength	500VAC, 1 minute
Adjustment Travel	240° ± 10°

Mechanical

Mechanical Travel	250° ± 10°
Shaft Torque	200 gf·cm (2.77 oz·in) max.
Stop Strength	500 gf·cm (6.93 oz·in) min.
Flammability of Plastic Materials	Meets UL 94V-0
Nominal Weight	0.5g (P, W); 0.6g (S, X); 1.03g (F)
Marking	Resistance code, date code

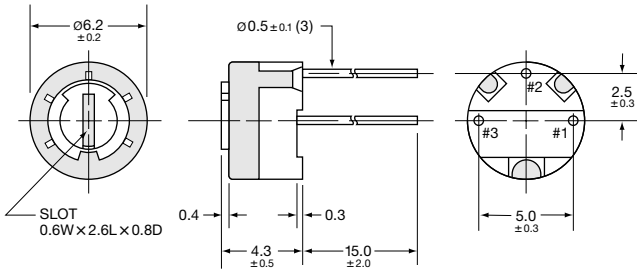
Environmental

Temperature Range	-55°C to +125°C
High Temperature Exposure	+125°C, 250 hours ΔT/R ≤ ±3%, S.S. ≤ ±1%
Load Life	+70°C, 0.5 watt, 1,000 hours ΔT/R ≤ ±3%, S.S. ≤ ±3%
Thermal Shock	-55°C, +125°C, 30 minutes each, 5 cycles ΔT/R ≤ ±2%, S.S. ≤ ±1%
Shock	50G, 6ms, 6 directions, 3 times each ΔT/R ≤ ±2%, S.S. ≤ ±1%
Vibration	10-2,000Hz, 1.5mm amplitude, 20G, 12 hours ΔT/R ≤ ±1%, S.S. ≤ ±1%
Humidity	+40°C, 90-95%RH, 0.5 watt, 500 hours ΔT/R ≤ ±5%, S.S. ≤ ±1%
Moisture Resistance	-10°C to +65°C, 80-98%RH, 0.5 watt, 10 cycles, 240 hours ΔT/R ≤ ±3%
Soldering Heat Resistance	350°C, 3 seconds ΔT/R ≤ ±1%
Seal Test	+85°C, hot water for 1 minute
Rotational Life	200 cycles without discontinuity ΔT/R ≤ ±10%

ΔT/R = Total Resistance Change; S.S. = Setting Stability (voltage ratio)

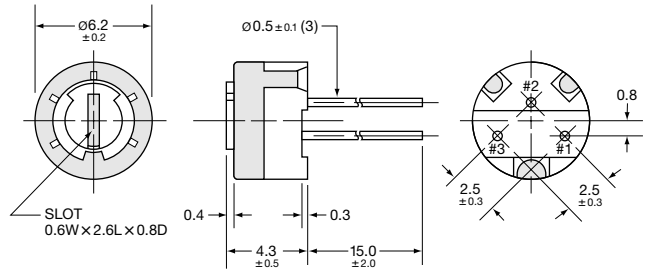
RJC06P

P Terminal Style, Single-Slot, Top Adjust



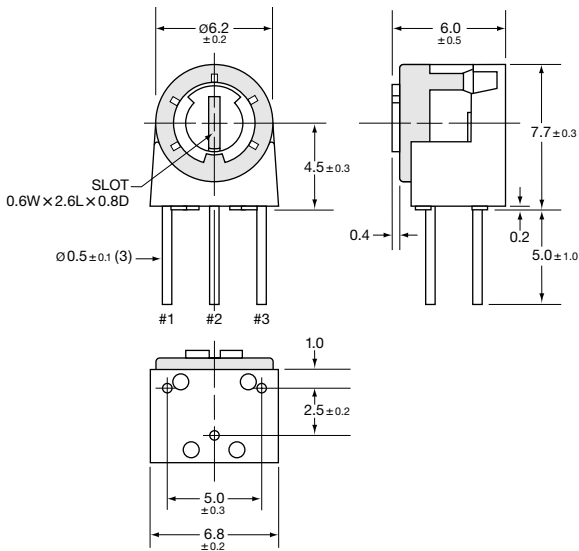
RJC06W

W Terminal Style, Single-Slot, Top Adjust



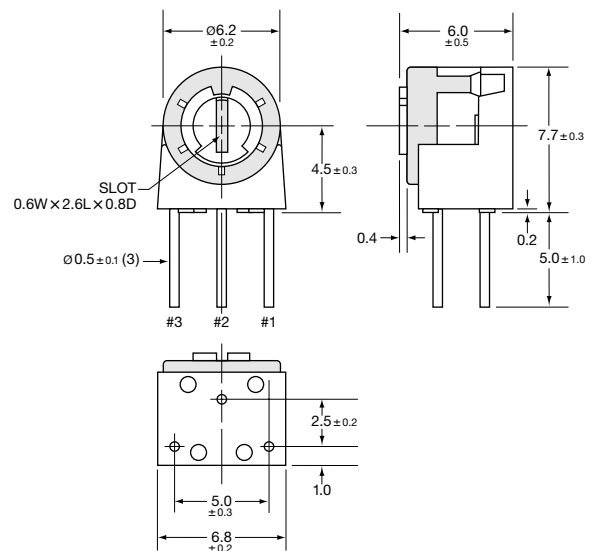
RJC06S

S Terminal Style, Single-Slot, Side Adjust



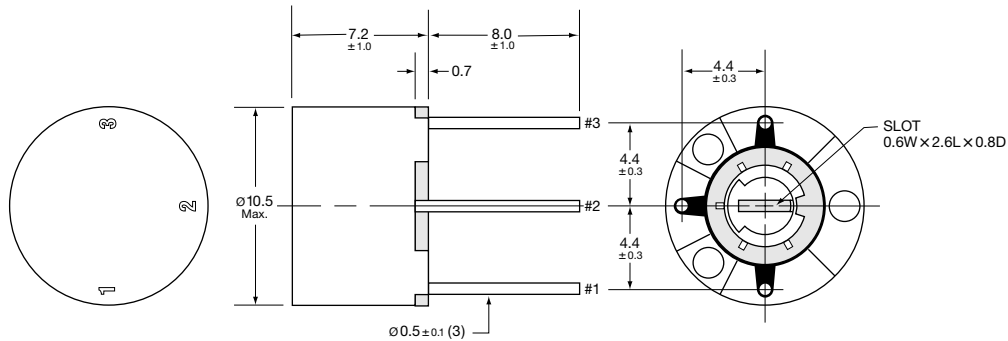
RJC06X

X Terminal Style, Single-Slot, Side Adjust

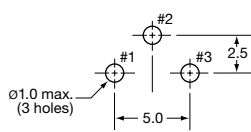


RJC06F

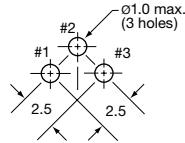
F Terminal Style, Single-Slot, Bottom Adjust



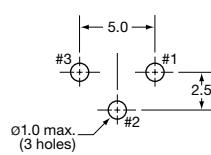
P & S Pin-Out



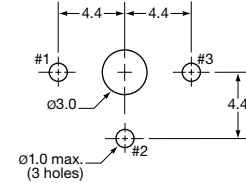
W Pin-Out



X Pin-Out

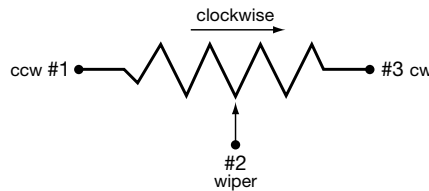


F Pin-Out

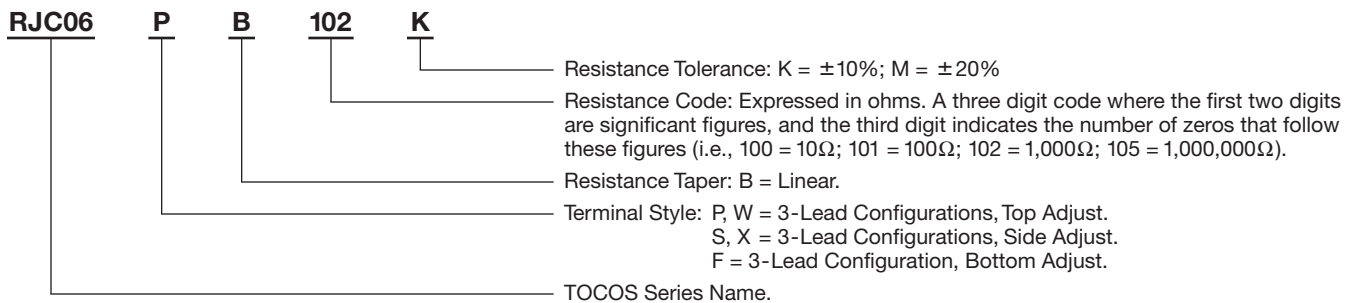


Unit: mm

Electrical Schematic



Part Numbering System



Part Numbers

Nominal Resistance		Catalog No. Bulk		Potentiometer Styles
Value (Ω)	Code	Resistance Tolerance $\pm 10\%$	Resistance Tolerance $\pm 20\%$	

RJC06P Through-Hole, P Terminal Style, Single-Slot, Top Adjust


10	100	RJC06P B 100 K	RJC06P B 100 M
20	200	RJC06P B 200 K	RJC06P B 200 M
50	500	RJC06P B 500 K	RJC06P B 500 M
100	101	RJC06P B 101 K	RJC06P B 101 M
200	201	RJC06P B 201 K	RJC06P B 201 M
500	501	RJC06P B 501 K	RJC06P B 501 M
1,000	102	RJC06P B 102 K	RJC06P B 102 M
2,000	202	RJC06P B 202 K	RJC06P B 202 M
5,000	502	RJC06P B 502 K	RJC06P B 502 M
10,000	103	RJC06P B 103 K	RJC06P B 103 M
20,000	203	RJC06P B 203 K	RJC06P B 203 M
50,000	503	RJC06P B 503 K	RJC06P B 503 M
100,000	104	RJC06P B 104 K	RJC06P B 104 M
200,000	204	RJC06P B 204 K	RJC06P B 204 M
500,000	504	RJC06P B 504 K	RJC06P B 504 M
1,000,000	105	RJC06P B 105 K	RJC06P B 105 M



RJC06P


Nominal Resistance		Catalog No. Bulk		Potentiometer Styles
Value (Ω)	Code	Resistance Tolerance ±10%	Resistance Tolerance ±20%	

RJC06W Through-Hole, W Terminal Style, Single-Slot, Top Adjust

Value (Ω)	Code	Resistance Tolerance ±10%	Resistance Tolerance ±20%	
10	100	RJC06W B 100 K	RJC06W B 100 M	
20	200	RJC06W B 200 K	RJC06W B 200 M	
50	500	RJC06W B 500 K	RJC06W B 500 M	
100	101	RJC06W B 101 K	RJC06W B 101 M	
200	201	RJC06W B 201 K	RJC06W B 201 M	
500	501	RJC06W B 501 K	RJC06W B 501 M	
1,000	102	RJC06W B 102 K	RJC06W B 102 M	
2,000	202	RJC06W B 202 K	RJC06W B 202 M	
5,000	502	RJC06W B 502 K	RJC06W B 502 M	
10,000	103	RJC06W B 103 K	RJC06W B 103 M	
20,000	203	RJC06W B 203 K	RJC06W B 203 M	
50,000	503	RJC06W B 503 K	RJC06W B 503 M	
100,000	104	RJC06W B 104 K	RJC06W B 104 M	
200,000	204	RJC06W B 204 K	RJC06W B 204 M	
500,000	504	RJC06W B 504 K	RJC06W B 504 M	
1,000,000	105	RJC06W B 105 K	RJC06W B 105 M	


RJC06W

RJC06S Through-Hole, S Terminal Style, Single-Slot, Side Adjust

Value (Ω)	Code	Resistance Tolerance ±10%	Resistance Tolerance ±20%	
10	100	RJC06S B 100 K	RJC06S B 100 M	
20	200	RJC06S B 200 K	RJC06S B 200 M	
50	500	RJC06S B 500 K	RJC06S B 500 M	
100	101	RJC06S B 101 K	RJC06S B 101 M	
200	201	RJC06S B 201 K	RJC06S B 201 M	
500	501	RJC06S B 501 K	RJC06S B 501 M	
1,000	102	RJC06S B 102 K	RJC06S B 102 M	
2,000	202	RJC06S B 202 K	RJC06S B 202 M	
5,000	502	RJC06S B 502 K	RJC06S B 502 M	
10,000	103	RJC06S B 103 K	RJC06S B 103 M	
20,000	203	RJC06S B 203 K	RJC06S B 203 M	
50,000	503	RJC06S B 503 K	RJC06S B 503 M	
100,000	104	RJC06S B 104 K	RJC06S B 104 M	
200,000	204	RJC06S B 204 K	RJC06S B 204 M	
500,000	504	RJC06S B 504 K	RJC06S B 504 M	
1,000,000	105	RJC06S B 105 K	RJC06S B 105 M	

RJC06S

RJC06X Through-Hole, X Terminal Style, Single-Slot, Side Adjust

Value (Ω)	Code	Resistance Tolerance ±10%	Resistance Tolerance ±20%	
10	100	RJC06X B 100 K	RJC06X B 100 M	
20	200	RJC06X B 200 K	RJC06X B 200 M	
50	500	RJC06X B 500 K	RJC06X B 500 M	
100	101	RJC06X B 101 K	RJC06X B 101 M	
200	201	RJC06X B 201 K	RJC06X B 201 M	
500	501	RJC06X B 501 K	RJC06X B 501 M	
1,000	102	RJC06X B 102 K	RJC06X B 102 M	
2,000	202	RJC06X B 202 K	RJC06X B 202 M	
5,000	502	RJC06X B 502 K	RJC06X B 502 M	
10,000	103	RJC06X B 103 K	RJC06X B 103 M	
20,000	203	RJC06X B 203 K	RJC06X B 203 M	
50,000	503	RJC06X B 503 K	RJC06X B 503 M	
100,000	104	RJC06X B 104 K	RJC06X B 104 M	
200,000	204	RJC06X B 204 K	RJC06X B 204 M	
500,000	504	RJC06X B 504 K	RJC06X B 504 M	
1,000,000	105	RJC06X B 105 K	RJC06X B 105 M	

RJC06X

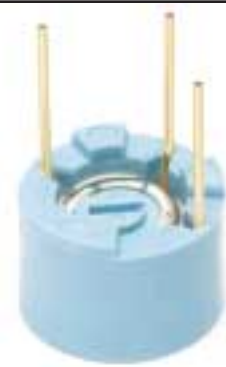
RJC06 Series

Part Numbers

Nominal Resistance		Catalog No. Bulk		Potentiometer Styles
Value (Ω)	Code	Resistance Tolerance $\pm 10\%$	Resistance Tolerance $\pm 20\%$	

RJC06F Through-Hole, F Terminal Style, Single-Slot, Bottom Adjust

10	100	RJC06F B 100 K	RJC06F B 100 M
20	200	RJC06F B 200 K	RJC06F B 200 M
50	500	RJC06F B 500 K	RJC06F B 500 M
100	101	RJC06F B 101 K	RJC06F B 101 M
200	201	RJC06F B 201 K	RJC06F B 201 M
500	501	RJC06F B 501 K	RJC06F B 501 M
1,000	102	RJC06F B 102 K	RJC06F B 102 M
2,000	202	RJC06F B 202 K	RJC06F B 202 M
5,000	502	RJC06F B 502 K	RJC06F B 502 M
10,000	103	RJC06F B 103 K	RJC06F B 103 M
20,000	203	RJC06F B 203 K	RJC06F B 203 M
50,000	503	RJC06F B 503 K	RJC06F B 503 M
100,000	104	RJC06F B 104 K	RJC06F B 104 M
200,000	204	RJC06F B 204 K	RJC06F B 204 M
500,000	504	RJC06F B 504 K	RJC06F B 504 M
1,000,000	105	RJC06F B 105 K	RJC06F B 105 M



RJC06F

Packaging

Standard: Bulk Packaging **Quantity**
50 pieces per vinyl bag.

Soldering and Cleaning Guidelines

For soldering, cleaning and other information, refer to Guidelines and Precautions for Using Potentiometers.