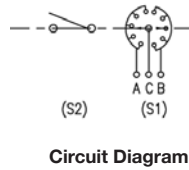
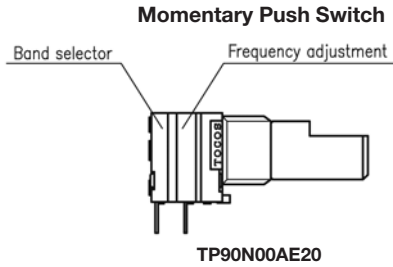


TP9/RH9 ENCODERS

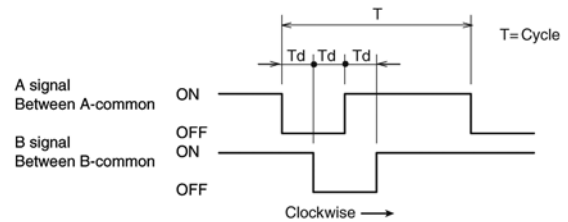
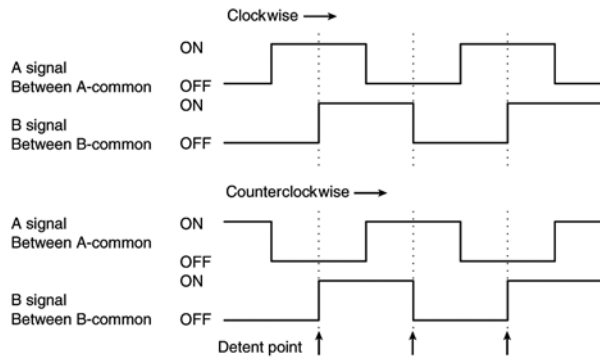
1. For Random Frequency Adjustment:
TP90N00E20
2. For Random Frequency Adjustment + Frequency Band Selector:
TP90N00AE20



Encoder Specifications

- Voltage rating 5VDC
- Current rating 1mA
- Max. operating current 2.5mA
- Chattering 10ms max. (15 r.p.m)
- Contact resistance 200Ω max.
- Output signal

- Phase Difference $T_d = T/4 \pm T/6$



- Duty ratio 50% ±5% (18° ±5.4°)
- Step angle 18° ±3°
- Rotational Life 50,000 cycles
- Rotational torque 2 to 24.5mN • m (0 to +70°C) (20 to 250gf • cm) 49.1mN max. (0 to -20°C) (500gf • cm max.)

- Resolution 10 pulses
- Detent point 20 detents
A-common: ON or OFF
B-common: Non provisions

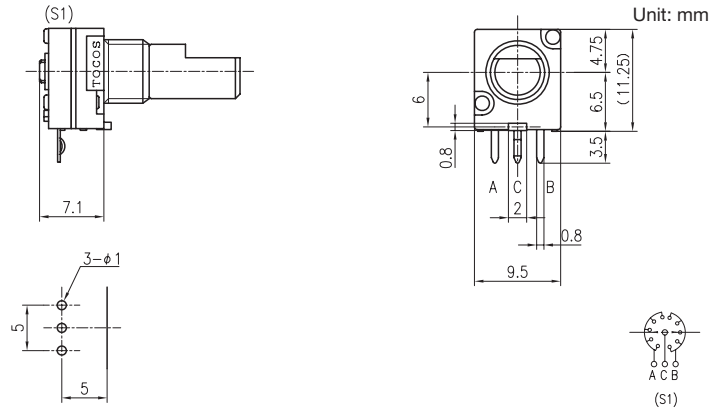
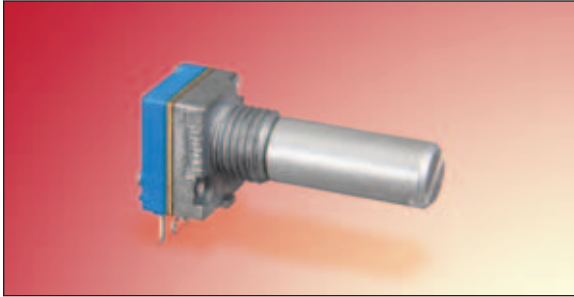
Refer to page 18 for additional 9mm potentiometer specifications.

◆ All products in this catalog are not for use in life support equipment.

TP/RH Series are NOT board washable.

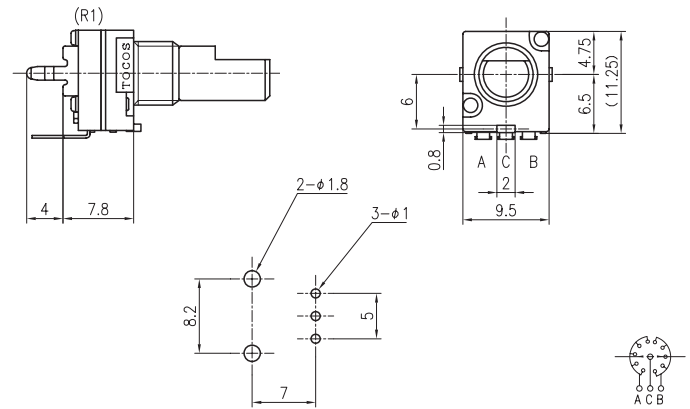
TP9N00E20

Encoder, Single Shaft, Single Unit



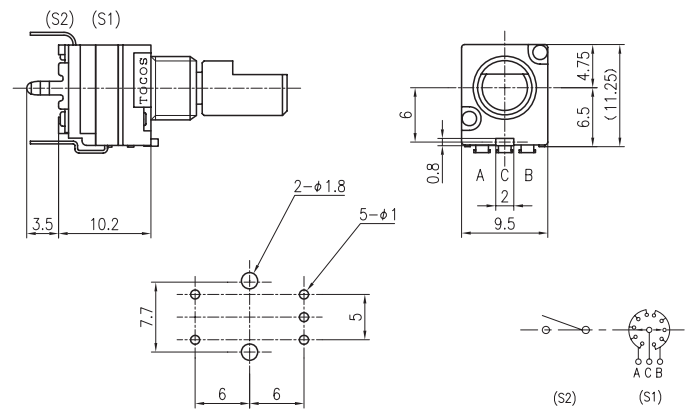
RH90N74E20

Vertical Mount Encoder, Single Shaft, Single Unit, Bracket with Snap-in Mounting Pins



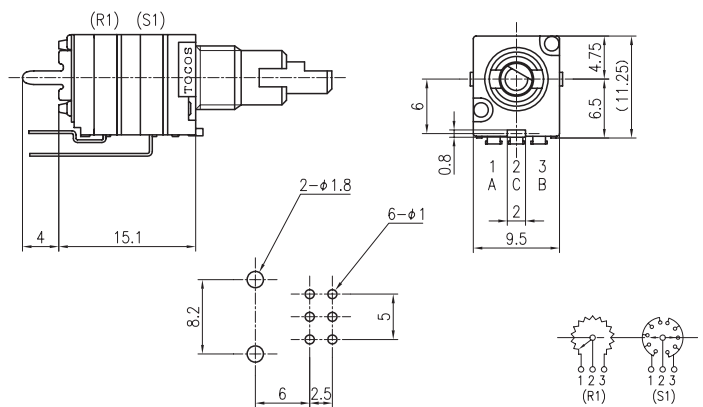
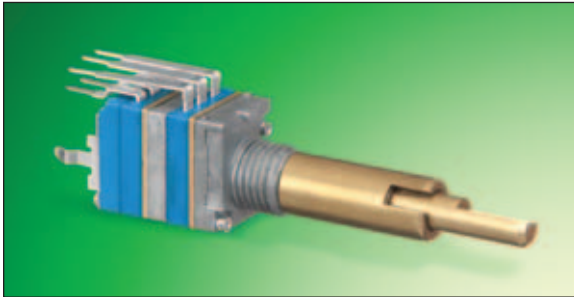
RH90N74AE20

Vertical Mount Encoder, Single Shaft, Single Unit, Momentary Push-on Switch, Bracket with Snap-in Mounting Pins



RH90D190E20

Vertical Mount Encoder, Dual Shaft, Dual Unit, Bracket with Snap-in Mounting Pins, Holding Case



RH96D218AE20

Vertical Mount Encoder, Dual Shaft, Dual Unit,
1 Pot, 1 Encoder (inner shaft), Momentary Push-on
Switch, Bracket with Snap-in Mounting Pins

