

# Long Life POTENTIOMETERS

## RVQ24YS series



RVQ24YS07 series

RVQ24YS08 series



● Variety of shaft lengths available

### Key Features

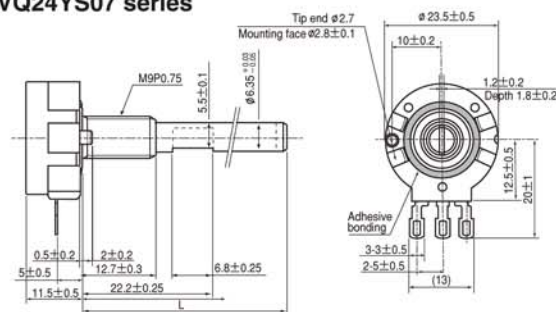
- Long life
- Linearity
- Durable (Stainless shaft)
- Waterproof

### Potential Applications

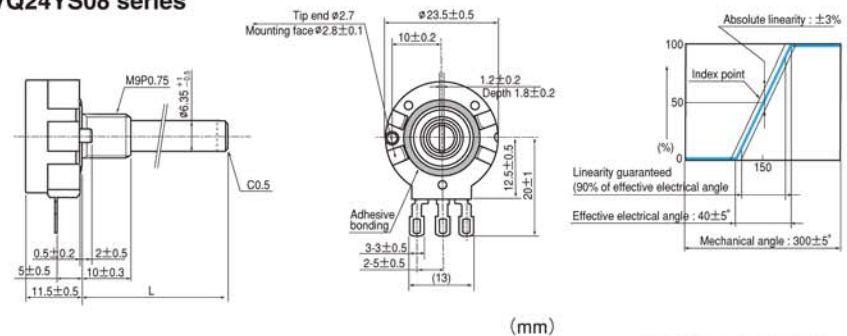
- Electric wheelchair
- Manual controls (Throttle, Joystick)
- Electric vehicles
- Personal mobility
- Off road vehicles, Golf cart, ATV's (All Terrain Vehicles)

### Dimensions

#### RVQ24YS07 series



#### RVQ24YS08 series



(mm)

### Specifications

Rotational Life	2 million cycles
Electrical Travel	45° ± 5 %, 40° ± 5 %
Mechanical Travel	300° ± 5%
Size & Construction	Φ24 mm / Bushing 10 mm, 12.7 mm / Waterproof
Resistance Range	5 kΩ Deadband of 8° optionally available for 45° type
Resistance Tolerance	± 10 %
Power Rating	0.15 W at 40°C, 0W at 85°C
Operating Temp. Range	- 10°C to +85°C
Waterproof	IP64

#### Marking on rear side

