

## Low Profile, Dual Output, Non-Contact Angle/Position Sensors



### Features

- Thin 11mm angle/position sensor with 4-wire harness and connector offered as a standard assembly
- Dual output, durable magnetic circuit, Hall IC technology
- Long life of 30 million cycles
- Dual output detection settings configured at factory to meet user's requirements
- Waterproof as standard with an IP64 rating
- Resistant to dither input, temperature variables, vibration impact and other external environmental factors
- Built-in magnet shield reduces interference from external magnetic field and isolates sensors from magnetic noise found in nearby motors
- 0.16W power rating
- Low impedance allows low load resistance
- Blind shaft-fitting design for front insertion of a blade shaft
- Popular screw mount flange with two oval mounting holes (hardware not included)
- RoHS compliant

### Applications

- Dual angle/position detection in electronically controlled devices found in automobiles, construction/agricultural machinery, snowmobiles, and marine vessels
- Various actuators such as valve opening/closing detection
- Dual outputs offer flexibility, i.e. redundancy and back-up, clamp voltage range, or indicator/control systems
- Other applications for dual output angle/position sensors requiring reliability and very long life

### Specifications

#### Basic Characteristics

Supply Voltage	5 ± 0.5V	Mechanical Rotational Angle	130°
Supply Current	32mV max.	Electrical Rotational Angle	100.8° (0.4V to 4.6V)
Power Rating	0.16W	Dustproof and Waterproof	IP64 rating
Output Characteristics	See Figure 1	Output Inclination	0.042V/degree
Measurement Circuit	See Figure 2	Output Resolution	5/4096V (V <sub>dd</sub> /12 bit)
Operating Temperature Range	-40°C to +125°C	Mounting Hole Pitch	36mm

#### Significant Characteristics

Output Linearity	±1% before test; <b>±2% after test</b> ; (in percentage of F.S. measurement range); deviation of output voltage from referenced straight line (inclination of 0.042V/degree) connecting 0.4V to 4.6V (see Figure 1)		
Hysteresis	±0.5° before test; <b>±0.5° after test</b> ; results based on difference of output voltage from hysteresis loop (origin curve and return curve)		
Relative Deviation	5 ± 0.08V before test; <b>5 ± 0.1V after test</b> ; to calculate relative deviation use $\Delta V = V_1 + V_2$ where V <sub>1</sub> is main output and V <sub>2</sub> is sub-output		
Output Noise	±0.2% F.S. before test, <b>±0.2% F.S. after test</b>		
Insulation Resistance	100MΩ min. before test; <b>10MΩ min. after test</b> ; 500VDC, MEGA between each lead and shaft fitting		
Operating Torque - Minimum	0.0049N•m min. before test; <b>0.0010N•m min. after test</b> (see Figure 3)		
Operating Torque - Maximum	0.0588N•m max. before test; <b>0.0883N•m max. after test</b> (see Figure 3)		

Specifications Continued

## Endurance Performance

## Operating Endurance

Operating Temperature (°C)	Tested Rotational Cycles	Tested Operating Angle	Output Voltage Range (V)	Frequency Rate (Hz)	Applied Voltage To Vcc Connector Pin
+25	30 million	100.8°	0.4 to 4.6	4	5V
+125	10 million	100.8°	0.4 to 4.6	4	5V
-40	10 million	100.8°	0.4 to 4.6	4	5V
+125	100 million	5°	2.4 to 2.6	30	5V

**Sweep Vibration** 2.5V reference point at +25°C, 30G, 50-250Hz, X, Y, Z direction, 12 hours

**Shock** 100G, 3 minutes, 18 times

**Humidity** 80 ± 3°C, 95 ± 5%RH, 1,000 hours

**Temperature Cycle** -40°C for 1 hour ↔ +125°C for 1 hour, 1,000 cycles

**Low Temperature Shelf Life** -40°C, 1,000 hours

**High Temperature Shelf Life** +125°C, 1,000 hours

**Moisture, Rain, and Spray** JIS-D0203-D1, temperature of water shall be 10°C lower than temperature of test sample  
D1 dip test time: 5 minutes, 10 cycles (installation side of part is sealed using an assembly tool)

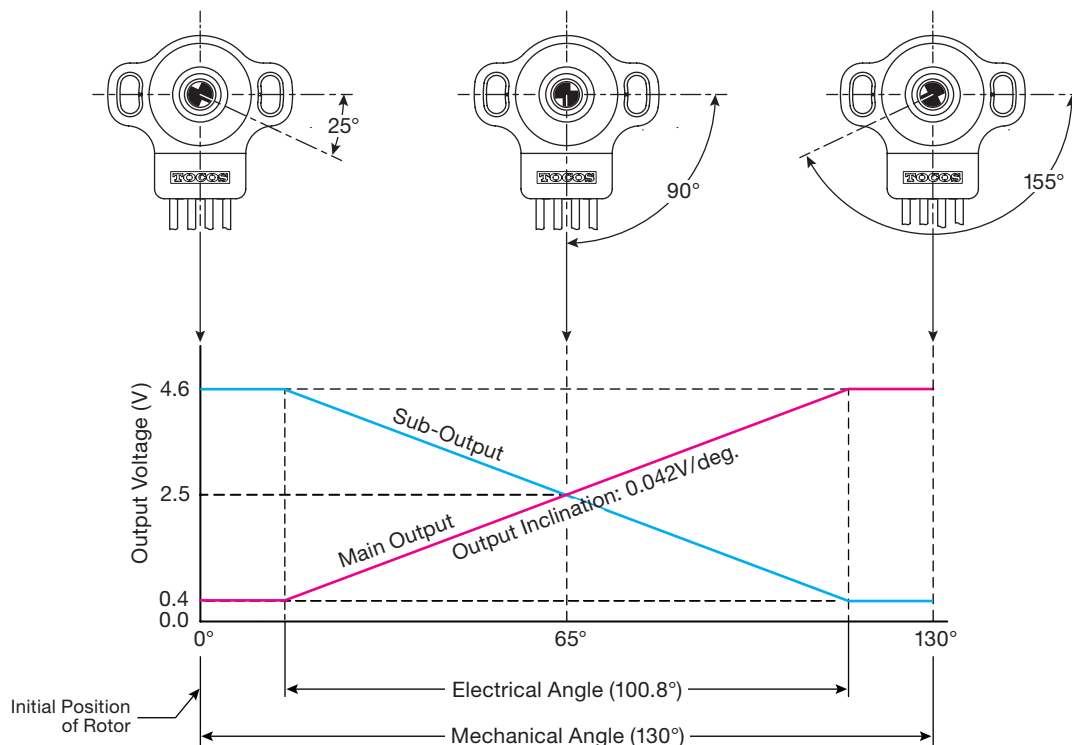
**Electromagnetic Susceptibility** 200 V/m, 1MHz to 1GHz

**Electrostatic Discharge** ±8kV contact discharge; ±15kV air discharge; IEC-61000-4-2

## Output Analysis

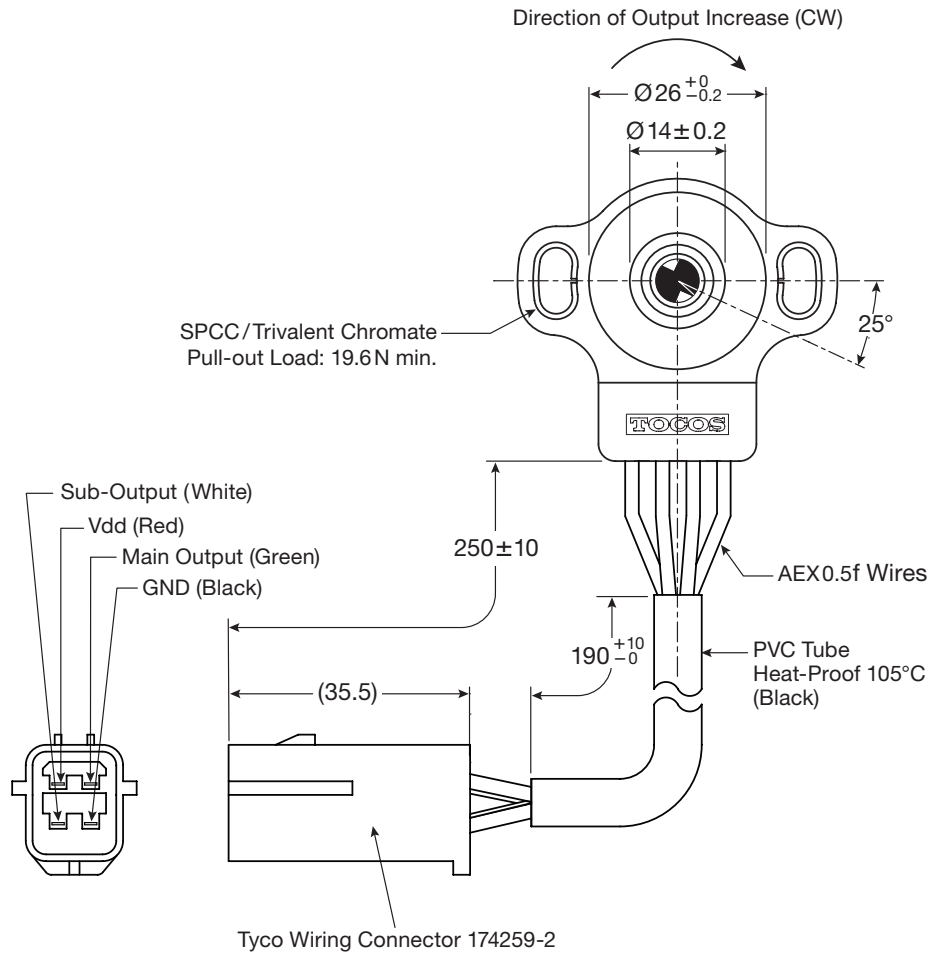
Figure 1: Output Characteristics

Unit: mm



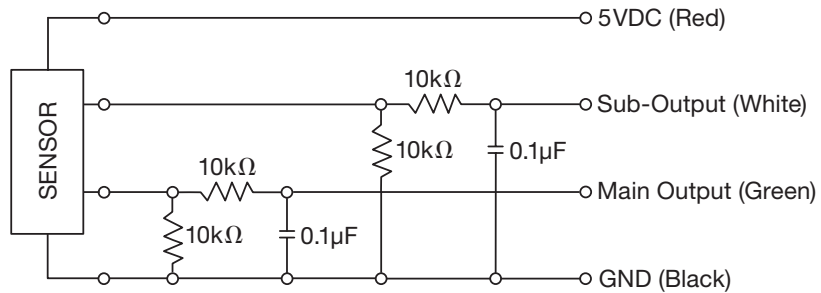
Dimensional Drawings of Front View A with Wire Harness and Connector

Unit: mm



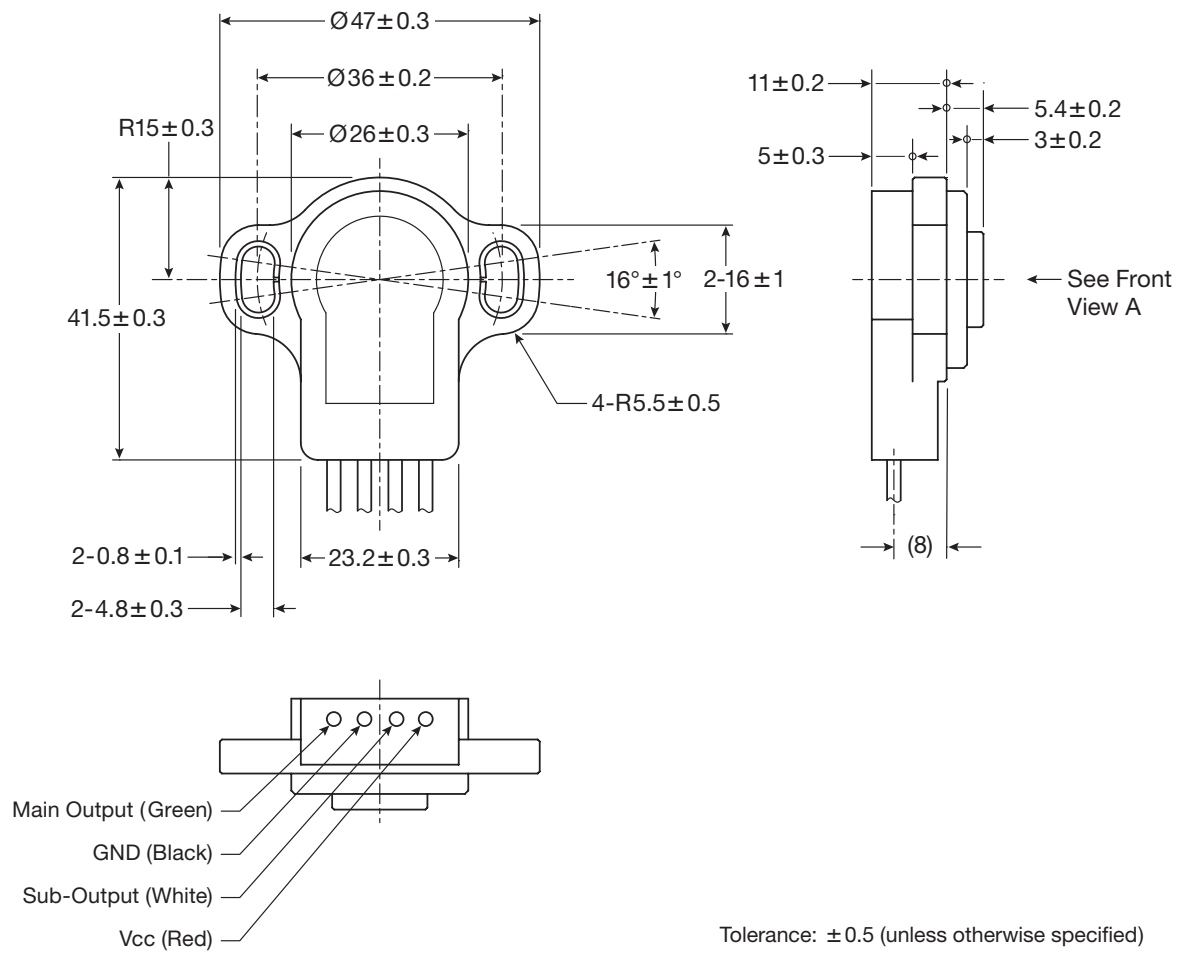
Electrical Schematic

Figure 2: Measurement Circuit



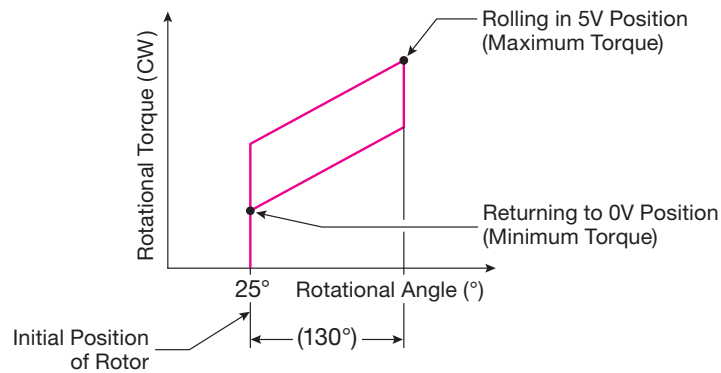
Dimensional Drawings of Back, Side, and Bottom Views

Unit: mm



Rotational Torque

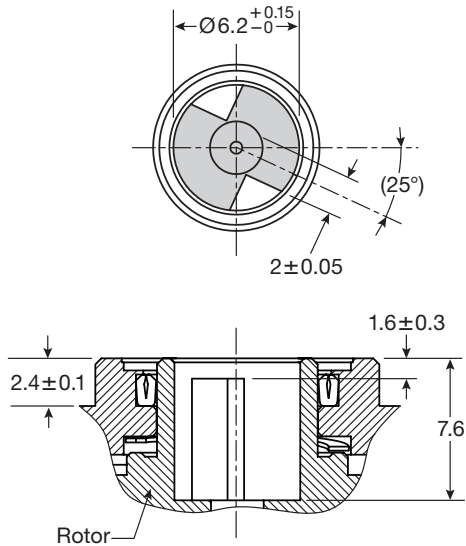
Figure 3: Operating Torque



## RSM012 Shaft Fitting

### Blind Shaft Fitting Detail from Front View A

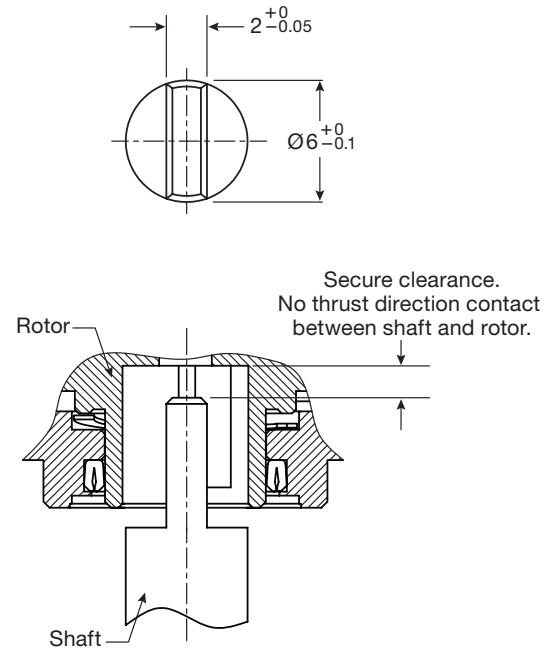
Unit: mm



## RSM012 Shaft Style

### Recommended Blade Shaped Shaft

Unit: mm



# TOCOSAMERICA, INC.

1177 East Tower Road, Schaumburg, IL 60173

Tel: 847-884-6664 Fax: 847-884-6665 E-mail: sales@tocos.com www.tocos.com

TocosAmerica, Inc.  
is affiliated with



The information in this publication is believed to be accurate and reliable with no guarantee as to its completeness. The components described herein are designed, tested and manufactured to meet and or exceed the specifications for each product. TOCOS reserves the right to make changes to the specifications without notice. It is the buyer's responsibility to determine suitable use and should test actual performance of TOCOS products in or for their specific application before final purchase agreement.